

Human/Machine Interfaces

Magelis™ ST6 Basic HMI panels

Catalog
May 2019



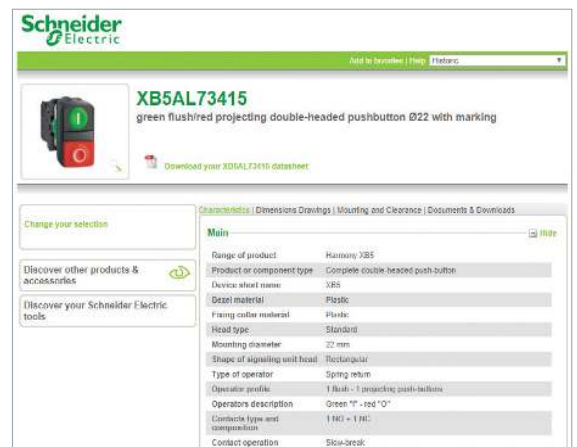
Quick access to product information

Get technical information about your product



Each commercial reference presented in a catalog contains a hyperlink. Click on it to obtain the technical information of the product:

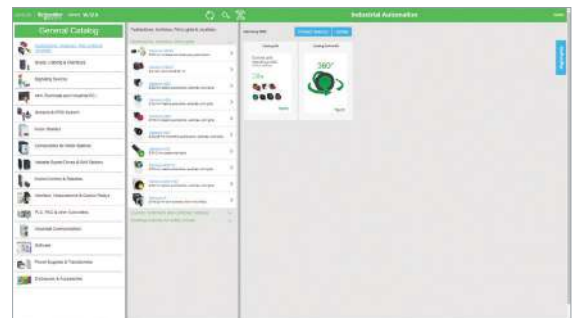
- Characteristics, Dimensions and drawings, Mounting and clearance, Connections and schemas, Performance curves
- Product image, Instruction sheet, User guide, Product certifications, End of life manual



Find your catalog



- > With just 3 clicks, you can reach the Industrial Automation and Control catalogs, in both English and French
- > Download Digi-Cat with this [link](#)



- Updated quarterly
- Embeds product selectors and configurators, 360° images, training centers,
- Optimized search by commercial reference

Select your training



- > Find the right [Training](#) for your needs on our Global website
- > Locate the training center with the selector tool, using this [link](#)



General contents

Magelis™ ST6/STW6 Basic HMI panels

■ General presentation

- Refined hardware design [page 2](#)
- Visualization [page 2](#)
- Easy to install [page 3](#)
- Easy to use [page 3](#)
- Connected and secure [page 3](#)

Selection guide [page 4](#)

■ Presentation

- Environment [page 8](#)
- Software functions [page 9](#)
- Communication [page 10](#)

■ Functions

- Panel operating modes
 - Edit mode [page 11](#)
 - Operating mode [page 11](#)

■ Description

- Panels with 4" and 7" touchscreens [page 12](#)
- Panels with 10", 12", and 15" touchscreens [page 13](#)

■ References

- Magelis ST6 Basic HMI panels [page 14](#)
- Accessories [page 15](#)
- Separate parts [page 15](#)
- Spare parts [page 15](#)

■ **Connection system** [page 16](#)

■ **Product reference index** [page 20](#)

Human Machine Interfaces

Magelis™ ST6/STW6 Basic HMI panels

Refined hardware design with improved visualization

Easy to use, connected and secure

Magelis ST6 Basic/STW6 Web HMI panels

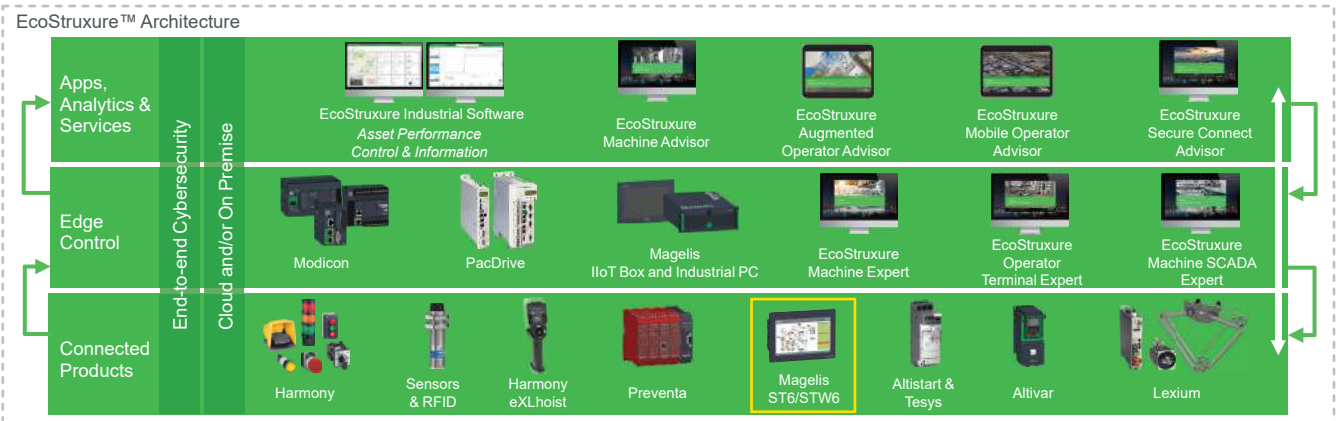
Magelis ST6 HMI panels range in size from 4" to 15" and combine exceptional quality with good graphics and stylish design. They offer an improved user experience through an attractive look and feel and intuitiveness powered by EcoStruxure Operator Terminal Expert software. The Magelis ST6 Web version has a pre-installed browser that provides a ready-to-use agnostic terminal that allows all devices to be visualized within an HTML5 server.



Magelis ST6 Basic HMI panels

EcoStruxure Machine brings together key technologies for product connectivity and on-premise edge control, and cloud technologies to provide analytics and digital services. EcoStruxure Machine helps you bring more innovation and added value to your customers throughout the entire machine life cycle.

The Magelis ST6/STW6 ranges meet IIoT challenges at the Connected Products level, by providing secure communication, connectivity, and efficiency to the required software and applications at the Edge Control level, thus opening up more business opportunities.



Refined hardware design

> A well-finished appearance: CNC machining, processing, and color coating like a smartphone gives it a high-grade finish



Visualization

> High-quality screen, high resolution with 16 M colors

> Improved graphics with truetype fonts, gradient, transparency, and anti-aliasing



> Theme and color set for supporting situational awareness



+ Attractive aesthetics and visualization for simple machines

Human Machine Interfaces

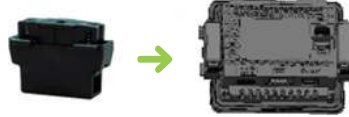
Magelis ST6/STW6 Basic HMI panels

Refined hardware design with improved visualization

Easy to use, connected and secure

Easy to install

- > Quick mounting without screwdriver:
 - Spring clip for 4" panel (1)



- Tool-free fastener for 7", 10", 12", and 15" panels



- > Electronic manual via QR code for easy in-field maintenance without PC or paper



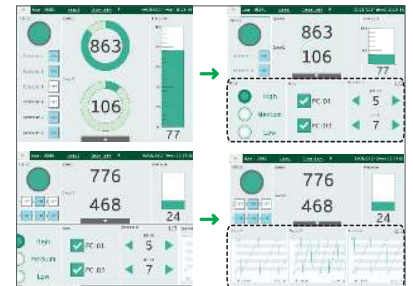
Easy to use

Magelis ST6 Basic HMI

- > With the Multi Screen function, more information can be displayed in a single screen
- > With the Layout Objects (Dock Panel) function:
 - Several pages can be embedded in one screen and users can navigate in each section independently
 - Screens are automatically resized to fit the frame
 - Frame sizes can be dynamically changed to show different content



Multi-screen function



Layout objects

Magelis STW6 Basic Web HMI

- > The panel with HTML5 Browser function enables:
 - Easy display of Title bar by swipe gesture on top of screen for full navigation
 - Access to Menu for configuration of different Web Server and Web Terminal addresses
 - Visualization of all Web content of servers in industrial devices (2)



Enhanced
Cybersecurity

Connected and secure

- > The Magelis ST6 offer is uniquely positioned in "Connected Products" within the EcoStruxure platform for enhanced cybersecurity.
- > Admin rights are required to download projects to HMI target <BuildTime>
- > OP user logged out after predefined idle time <RunTime>
- > Security check performed during booting <CPU>

(1) This accessory has to be ordered separately.

(2) As there may be limited access to all features of the HTML5 connected server, please contact your local Schneider Electric representative for more details.

Human Machine Interfaces

Magelis™ ST6 Basic HMI panels

Applications		Display of text messages, graphic objects, and synoptic views Control and configuration of data	
Type of display module		Basic HMI panels	
		 	
Display	Touchscreen size	4.3"	7"
	Resolution (pixels)	480 x 272 pixels, 16 million colors	800 x 480 pixels (WVGA), 16 million colors
	Type	TFT Color LCD, single-touch analogue resistive	
Degree of protection		IP65F, Type 1, Type 4X (indoor use only), Type 13 (on the front panel when properly installed in an enclosure)	
Functions	Brightness control	16 levels (adjusted with touch panel or software)	
	Backlight service life	50,000 hrs or more	
Memory	Device memory	512 MB	1 GB
	User data memory	128 MB	128 MB
	Backup memory	512 KB NVRAM	
Dimensions	External W × H × D mm/in.	134.5 x 108.5 x 43/5.3 x 4.27 x 1.69	208 x 153 x 45/8.19 x 6.02 x 1.77
	Cut-out W × H mm/in.	118.5 x 92.5/4.67 x 3.64	190 x 135/7.48 x 5.31
Weight		0.4 kg/0.88 lb	0.8 kg/1.76 lb
Supply voltage		24 V ~	
Environment		Ambient air temperature 0...50 °C/32...122 °F	
Communication	Asynchronous serial link	RS-232C/485 (COM1)	RS-232C (COM1), RS-485 (COM2)
	USB ports	1x USB 2.0 (Type A), 1x USB 2.0 Micro-B	
	Buses and networks	1x Ethernet TCP/IP (10BASE-T/100BASE-TX)	2x Ethernet TCP/IP (10BASE-T/100BASE-TX)
Conformity to standards and certifications		CE, China RoHS, REACH, KC, EN (61000-6-4/61000-6-2/61131-2), UL 61010-2-201, CSA C22.2 No 61010-2-201	
Operating system		Magelis (800 MHz ARM Cortex-A8 CPU)	
Development software		EcoStruxure Operator Terminal Expert (1)	
Terminal reference		HMIST6200	HMIST6400
Pages		13	

(1) For more information on EcoStruxure Operator Terminal Expert, please refer to the catalog available on our website www.schneider-electric.com.

Applications			Display of text messages, graphic objects, and synoptic views Control and configuration of data		
Type of display module			Basic HMI panels		
			  		
	10.1"	12.1"		15.6"	
	1,024 x 600 pixels (SVGA), 16 million colors		1,280 x 800 pixels (WXGA), 16 million colors		1,366 x 768 pixels (FWXGA), 16 million colors
TFT Color LCD, single-touch analog resistive					
IP65F, Type 1, Type 4X (indoor use only), Type 13 (on the front panel when properly installed in an enclosure)					
16 levels (adjusted with touch panel or software)					
50,000 hrs or more					
1 GB					
128 MB					
512 KB NVRAM					
	273 x 203 x 47/10.75 x 7.99 x 1.85		313 x 235 x 50/12.32 x 9.25 x 1.97		412 x 268 x 50/16.22 x 10.55 x 1.97
	255 x 185/10.04 x 7.28		295 x 217/11.61 x 8.54		394 x 250/15.51 x 9.84
	1.3 kg/2.87 lb		1.8 kg/3.97 lb		2.7 kg/5.95 lb
24 V ~					
Ambient air temperature 0...50 °C/32...122 °F					
	RS-232C (COM1), RS-485 (COM2)		RS-232C (COM1), RS-485 (COM2)		RS-232C (COM1), RS-485 (COM2)
1x USB 2.0 (Type A), 1x USB 2.0 Micro-B					
2x Ethernet TCP/IP (10BASE-T/100BASE-TX)					
CE, China RoHS, REACH, KC, EN (61000-6-4/61000-6-2/61131-2), UL 61010-2-201, CSA C22.2 No 61010-2-201					
Magelis (800 MHz ARM Cortex-A8 CPU)					
EcoStruxure Operator Terminal Expert (1)					
	HMIST6500	HMIST6600		HMIST6700	
13					

(1) For more information on EcoStruxure Operator Terminal Expert, please refer to the catalog available on our website www.schneider-electric.com.

Human Machine Interfaces

Magelis™ STW6 Basic Web HMI panels

Applications		Display of text messages, graphic objects, and synoptic views Control and configuration of data	
Type of display module		Basic Web HMI panels	
			
Display	Touchscreen size	4.3"	7"
	Resolution (pixels)	480 x 272 pixels, 16 million colors	800 x 480 pixels (WVGA), 16 million colors
	Type	TFT Color LCD, single-touch analog resistive	
Degree of protection		IP65F, Type 1, Type 4X (indoor use only), Type 13 (on the front panel when properly installed in an enclosure)	
Functions	Brightness control	16 levels (adjusted with touch panel or software)	
	Backlight service life	50,000 hrs or more	
Memory	Device memory	512 MB	
	User data memory	512 MB	
	Backup memory	128 KB	
Dimensions	External W × H × D mm/in.	134.5 x 108.5 x 43/5.3 x 4.27 x 1.69	208 x 153 x 45/8.19 x 6.02 x 1.77
	Cut-out W × H mm/in.	118.5 x 92.5/4.67 x 3.64	190 x 135/7.48 x 5.31
Weight		0.4 kg/0.88 lb	0.8 kg/1.76 lb
Supply voltage		24 V $\overline{\text{---}}$	
Environment		Ambient air temperature 0...50 °C/32...122 °F	
Communication	Asynchronous serial link	-	
	USB ports	1x USB 2.0 (Type A), 1x USB 2.0 Micro-B	
	Buses and networks	1x Ethernet TCP/IP (10BASE-T/100BASE-TX)	2x Ethernet with switch function for daisy chain (10BASE-T/100BASE-TX)
Conformity to standards and certifications		CE, China RoHS, REACH, KC, EN (61000-6-4/61000-6-2/ 61131-2), UL 61010-2-201, CSA C22.2 No 61010-2-201	
Operating system		Magelis (800 MHz ARM Cortex-A8 CPU)	
Development software		Linux Browser HTML5	
Terminal reference		HMISTW6200	HMISTW6400
Pages		13	

Applications			Display of text messages, graphic objects, and synoptic views Control and configuration of data		
Type of display module			Basic Web HMI panels		
					
Display	Touchscreen size	10.1"	12.1"	15.6"	
	Resolution (pixels)	1,024 x 600 pixels (SVGA), 16 million colors	1,280 x 800 pixels (WXGA), 16 million colors	1,366 x 768 pixels (FWXGA), 16 million colors	
	Type	TFT Color LCD, single-touch analog resistive			
Degree of protection			IP65F, Type 1, Type 4X (indoor use only), Type 13 (on the front panel when properly installed in an enclosure)		
Functions	Brightness control	16 levels (adjusted with touch panel or software)			
	Backlight service life	50,000 hrs or more			
Memory	Device memory	512 MB			
	User data memory	512 MB			
	Backup memory	128 KB			
Dimensions	External W × H × D mm/in.	273 x 203 x 47/10.75 x 7.99 x 1.85	313 x 235 x 50/12.32 x 9.25 x 1.97	412 x 268 x 50/16.22 x 10.55 x 1.97	
	Cut-out W × H mm/in.	255 x 185/10.04 x 7.28	295 x 217/11.61 x 8.54	394 x 250/15.51 x 9.84	
Weight		1.3 kg/2.87 lb	1.8 kg/3.97 lb	2.7 kg/5.95 lb	
Supply voltage			24 V $\overline{\text{---}}$		
Environment			Ambient air temperature 0...50 °C/32...122 °F		
Communication	Asynchronous serial link	-			RS-232C (COM1), RS-485 (COM2)
	USB ports	1x USB 2.0 (Type A), 1x USB 2.0 Micro-B			
	Buses and networks	2x Ethernet with switch function for daisy chain (10BASE-T/100BASE-TX)			
Conformity to standards and certifications			CE, China RoHS, REACH, KC, EN (61000-6-4/61000-6-2/ 61131-2), UL 61010-2-201, CSA C22.2 No 61010-2-201		
Operating system			Magelis (800 MHz ARM Cortex-A8 CPU)		
Development software			Linux Browser HTML5		
Terminal reference			HMISTW6500	HMISTW6600	HMISTW6700
Pages			13		



Magelis ST6/STW6 color touchscreen terminals in 5 sizes from 4.3" to 15.6"

Presentation

Magelis ST6 Basic and STW6 Basic Web HMI panels provide high-quality graphics and stylish design. They are color touchscreen terminals (TFT technology) available in 5 different sizes:

- 4.3"
- 7"
- 10.1"
- 12.1"
- 15.6"

Their efficiency, flexibility, connectivity, and security features make them suitable for use in food and beverage, HVAC&R, pumping, and packaging applications.

Environment

The Magelis ST6/STW6 Basic range has been designed in accordance with numerous standards, certifications, and requirements:

■ Compliance standards:

Europe:

- Low Voltage Directive (2014/35/EU), EMC Directive (2014/30/EU), Programmable Controllers: EN 61131-2, EN 61000-6-4, EN 61000-6-2

Australia:

- RCM
- EN 61000-6-4

Korea

- KC
- KN 11
- KN 61000-6-2

■ Agency certifications:

- Third-party certified standards: Underwriters Laboratories Inc., UL 61010-2-201 and CSA C22.2 No. 61010-2-201, Industrial Control Equipment

■ Operating temperature: up to 50 °C/22 °F

- Degree of protection: IP65F, Type 1, Type 4X (indoor use only), Type 13 (on the front panel when properly installed in an enclosure)

■ Vibration resistance:

- IEC/EN 61131-2 compliant, 5...9 Hz single amplitude 3.5 mm / 0.14 in., 9...150 Hz fixed acceleration: 9.8 m/s², X, Y, Z directions for 10 cycles (approximately 100 minutes)

■ Shock resistance

- IEC/EN 61131-2 compliant, 147 m/s², X, Y, Z directions for 3 times

■ Electrical fast transient/burst

- IEC 61000-4-4
 2 kV: Power port (display unit)
 1 kV: Signal ports

■ Electrostatic discharge immunity

- Contact discharge method: 6 kV
 Air discharge method: 8 kV (IEC/EN 61000-4-2 Level 3)



EcoStruxure Operator Terminal Expert



Software functions

Magelis ST6 Basic HMI panels

Magelis ST6 Basic panels are configured using EcoStruxure Operator Terminal Expert software. This software and its user interface bring greater ease of use to project development and online updates. EcoStruxure Operator Terminal Expert allows you to create HMI applications with an innovative navigation concept on Magelis ST6.

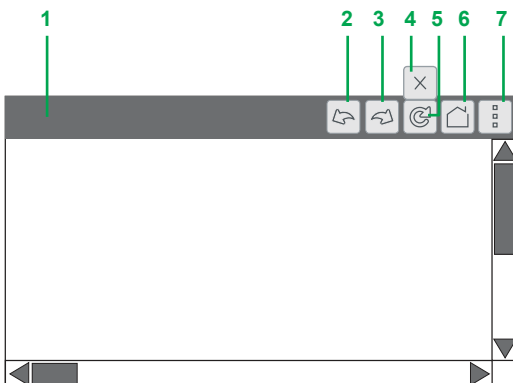
These panels with EcoStruxure Operator Terminal Expert offer the following functions:

- Display of animated synoptic views with 8 types of animation (pressing the touch panel, color changes, filling, movement, rotation, size, visibility, and value display)
- Control, modification of numeric and alphanumeric values
- Display of current date and time
- Real-time and trending curves with log
- Alarm display, alarm log, and management of alarm groups
- Multi-window
- Recipe management
- Multi-language support in the Buildtime editor (10 languages)
- Storage of the application logs on USB stick

For more information on EcoStruxure Operator Terminal Expert, please refer to the catalog available on our website www.schneider-electric.com.

Magelis STW6 Web HMI panels

Magelis STW6 uses the Web browser which acts like a Web client to display screens (1) that run Web servers on the same Intranet.



- 1 Displays the title of the Web server page or the URL when the page does not have a title
- 2 Moves to the previous page
- 3 Moves to the next page
- 4 Icon that displays while loading the Web server screen
- 5 Reloads the Web server screen
- 6 Displays the Web server screen set in Server → Start Page
- 7 Touch this icon to display the sub-menu

(1) For supported models, please contact your local Schneider Electric support representative.

Human Machine Interfaces

Magelis ST6/STW6 Basic HMI panels

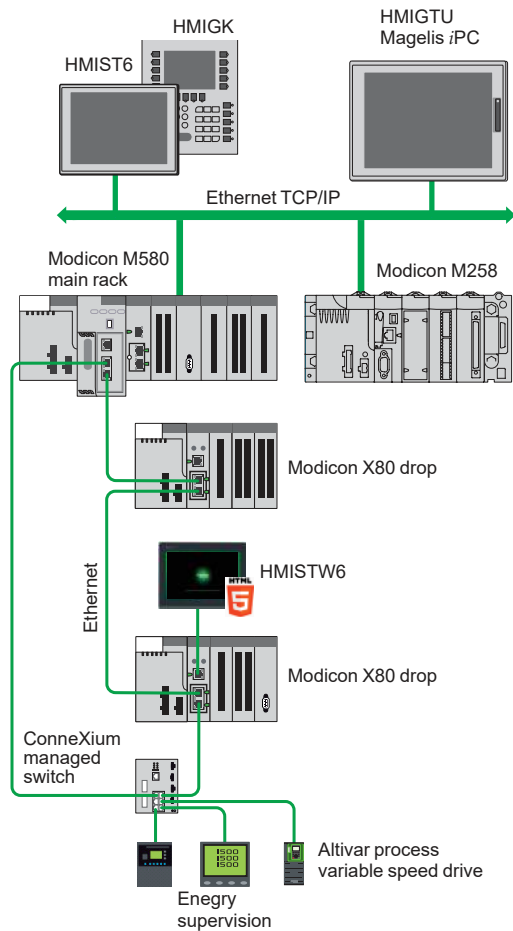
Communication

Magelis ST6 HMI panels communicate with PLCs via one or two integrated serial links, using the following communication protocols:

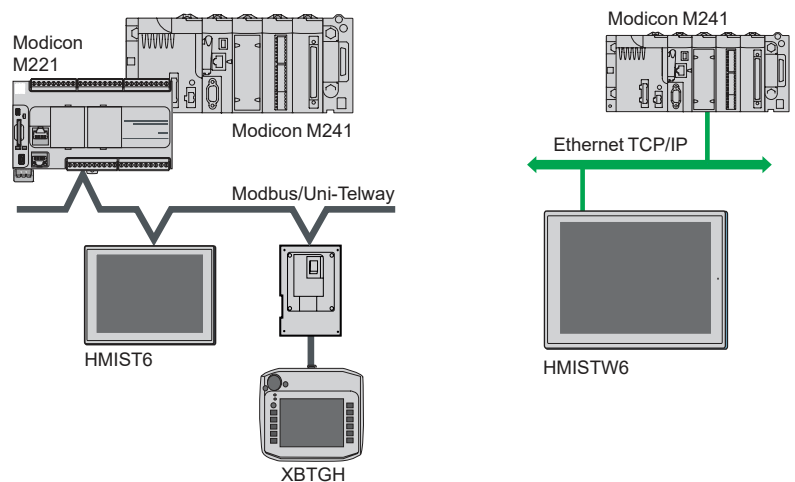
- Schneider Electric (Uni-TE, Modbus)
- Third-party: Mitsubishi Electric, Omron, Allen-Bradley, and Siemens

Depending on the model, they can be connected to Ethernet TCP/IP networks using one of the following:

- A Modbus TCP protocol
- An Ethernet TCP/IP protocol
- A third-party protocol



Typical plant architecture

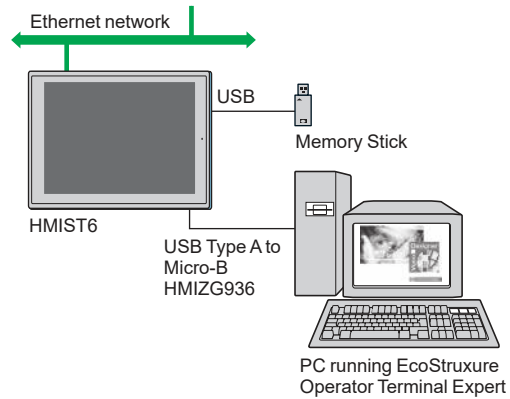


Simple machine architecture

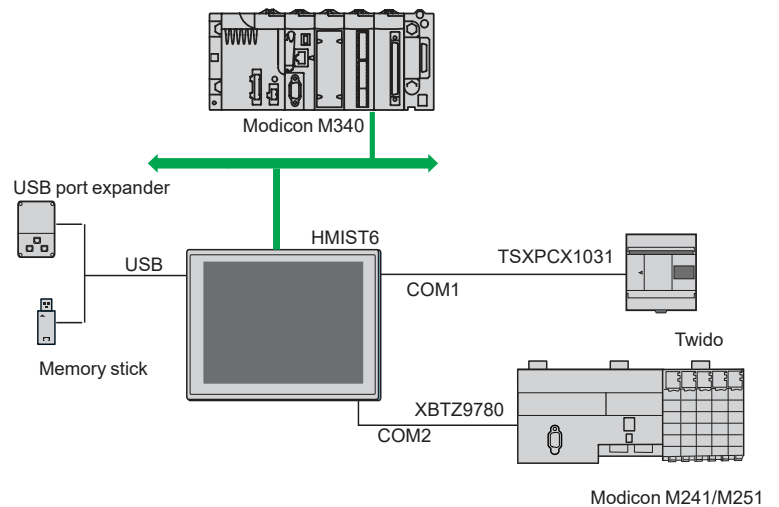
Panel operating modes

The following illustrations show the equipment that can be connected to Basic HMI panels according to their two operating modes.

Edit mode



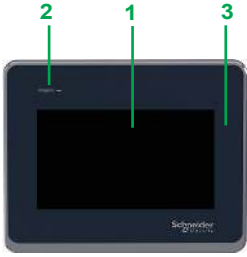
Operating mode



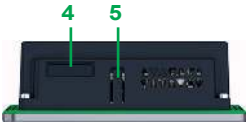
Human Machine Interfaces

Magelis ST6/STW6 Basic HMI panels

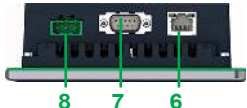
Panels with 4" and 7" touchscreens



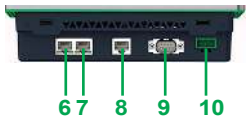
HMIST6 200/400 and HMISTW6 200/400 front view



HMIST6 200/400 and HMISTW6 200/400 top view



HMIST6200 and HMISTW6200 underside view



HMIST6400 and HMISTW6400 underside view



HMIST6 200/400 and HMISTW6 200/400 rear view

Description

Magelis HMIST6 200/400 Basic and HMISTW6 200/400 Web HMI panels

Front view

- 1 Single-touch resistive screen for displaying synoptic views
- 2 Multi-color status indicator (green, orange, and red) showing the panel's operating mode
- 3 Aluminum alloy front panel providing IP 66/67 protection when mounted on panel or enclosure door

Magelis HMIST6 200/400 Basic and HMISTW6 200/400 Web HMI panels

Top view

- 4 Battery slot (1)
- 5 Hook to hold panel in position during installation

Magelis HMIST6200 Basic and HMISTW6200 Web HMI panels

Underside view

- 6 Ethernet interface (ETH1)
- 7 Serial interface (RJ45, RS-232C/485) (COM1) (2)
- 8 Power plug connector

Magelis HMIST6400 Basic and HMISTW6400 HMI panels

Underside view

- 6 Ethernet interface (ETH2)
- 7 Ethernet interface (ETH1)
- 8 Serial interface (RJ-45, RS-485) (COM2) (3)
- 9 Serial interface (RS-232C) (COM1) (3)
- 10 Power plug connector

Magelis HMIST6 200/400 Basic and HMISTW6 200/400 Web HMI panels

Rear view

- 11 USB (Type A) interface
- 12 USB (Micro-B) interface

(1) For HMIST6200/400 only.

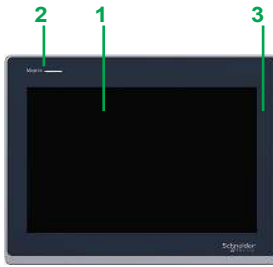
(2) For HMIST6200 only.

(3) For HMIST6400 only.

Human Machine Interfaces

Magelis ST6/STW6 Basic HMI panels

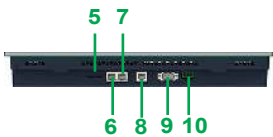
Panels with 10", 12", and 15" touchscreens



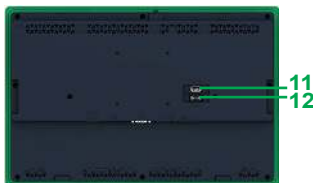
HMIST6 500/600/700 and HMISTW6 500/600/700 front view



HMIST6 500/600/700 and HMISTW6 500/600/700 top view



HMIST6 500/600/700 and HMISTW6 500/600/700 underside view



HMIST6 500/600/700 and HMISTW6 500/600/700 rear view

Description

Magelis HMIST6 500/600/700 Basic and HMISTW6 500/600/700 Web HMI panels

Front view

- 1 Single-touch resistive screen for displaying synoptic views
- 2 Multi-color status indicator (green, orange, and red) showing the panel's operating mode
- 3 Aluminum alloy front panel providing IP 66/67 protection when mounted on panel or enclosure door

Magelis HMIST6 500/600/700 Basic and HMISTW6 500/600/700 Web HMI panels

Top view

- 4 Hook to hold panel in position during installation

Magelis HMIST6 500/600/700 Basic and HMISTW6 500/600/700 Web HMI panels

Underside view

- 5 Battery slot (1)
- 6 Ethernet interface (ETH2)
- 7 Ethernet interface (ETH1)
- 8 Serial interface (RJ-45, RS-485) (COM2) (1)
- 9 Serial interface (RS-232C) (COM1) (1)
- 10 Power plug connector

Magelis HMIST6 500/600/700 Basic and HMISTW6 500/600/700 Web HMI panels

Rear view

- 11 USB (Type A) interface
- 12 USB (Micro-B) interface

(1) For HMIST6500/600/700 only.

Human Machine Interfaces

Magelis ST6/STW6 Basic HMI panels

HMI panels



HMIST6400



HMIST6700



HMISTW6400



HMISTW6700

Magelis ST6 Basic HMI panels								
Data entry method	Size	Resolution (pixels)	Colors	Device memory	User data memory	Number of ports	Reference	Weight kg/lb
Via touchscreen	4.3" W	480 x 272	16 million colors	512 MB	128 MB	2x USB 1x COM 1 1x Ethernet	HMIST6200	0.400/0.880
	7" W	800 x 480 WVGA	16 million colors	1 GB	128 MB	2x USB 1x COM 1 1x COM 2 2x Ethernet	HMIST6400	0.800/1.760
	10.1" W	1,024 x 600 WSVGA	16 million colors	1 GB	128 MB	2x USB 1x COM 1 1x COM 2 2x Ethernet	HMIST6500	1.300/2.870
	12.1" W	1,280 x 800 WXGA	16 million colors	1 GB	128 MB	2x USB 1x COM 1 1x COM 2 2x Ethernet	HMIST6600	1.800/3.970
	15.6" W	1,366 x 768 FWXGA	16 million colors	1 GB	128 MB	2x USB 1x COM 1 1x COM 2 2x Ethernet	HMIST6700	2.700/5.950

Magelis STW6 Web HMI panels								
Data entry method	Size	Resolution (pixels)	Colors	Device memory	User data memory	Number of ports	Reference	Weight kg/lb
Via touchscreen	4.3" W	480 x 272	16 million colors	512 MB	512 MB	2x USB 1x Ethernet	HMISTW6200	0.400/0.880
	7" W	800 x 480 WVGA	16 million colors	512 MB	512 MB	2x USB 2x Ethernet	HMISTW6400	0.800/1.760
	10.1" W	1,024 x 600 WSVGA	16 million colors	512 MB	512 MB	2x USB 2x Ethernet	HMISTW6500	1.300/2.870
	12.1" W	1,280 x 800 WXGA	16 million colors	512 MB	512 MB	2x USB 2x Ethernet	HMISTW6600	1.800/3.970
	15.6" W	1,366 x 768 FWXGA	16 million colors	512 MB	512 MB	2x USB 2x Ethernet	HMISTW6700	2.700/5.950

Accessories				
Description	Characteristics	Length m/ft	Reference	Weight kg/lb
USB panel-mount extension cable	Extension cable for connecting USB interface to front panel	1/3.28	HMZSUSBB2	–
USB front cable	Extension cable that attaches USB interface to front panel	–	XBTZGUSB	–
USB Type A clamp (1 port)	Clamp to prevent disconnection of USB cable (USB Type A, 1 port) (2)	–	HMIZGCLP1	–

Separate parts (5 sheets/set)				
Description	Characteristics	Compatible with terminals	Reference	Weight kg/lb
Screen protection sheet	Disposable, dirt-resistant sheet	HMIST6200/HMISTW6200	HMIZG60W	–
	Disposable, dirt-resistant sheet	HMIST6400/HMISTW6400	HMIZG63W	–
	Disposable, dirt-resistant sheet	HMIST6500/HMISTW6500	HMIZG65W1	–
	Disposable, dirt-resistant sheet	HMIST6600/HMISTW6600	HMIZG66W	–
	Disposable, dirt-resistant sheet	HMIST6700/HMISTW6700	HMIZG67W	–
Spring clip	Fasteners to attach this product to the mounting surface	HMIST6200/HMISTW6200	XBTZ3002	–

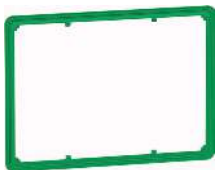
Spare parts				
Description	Characteristics	Compatible with terminals	Reference	Weight kg/lb
Installation fastener	Installation fastener	HMIST6400/HMISTW6400	HMZSFIXTF1 (1)	–
		HMIST6500/HMISTW6500		–
		HMIST6600/HMISTW6600		–
		HMIST6700/HMISTW6700		–
Installation gasket	Provides dust and moisture resistance when this product is installed in a solid panel	HMIST6200/HMISTW6200	HMZS51W1	–
		HMIST6400/HMISTW6400	HMZS53W1	–
		HMIST6500/HMISTW6500	HMZS55W1	–
		HMIST6600/HMISTW6600	HMZS56W1	–
		HMIST6700/HMISTW6700	HMZS57W1	–
DC power supply connector	Connector to connect DC power supply cables	All terminals	XBTZGPW1	–
Replacement battery	Primary battery for time data backup	HMIST6 terminals	HMZSBA1	–

(1) 2 pieces/set for HMI6400/HMI6500/HMI6600 and 3 pieces/set for [HMIST6700](#).
 (2) 5 clamps/set.

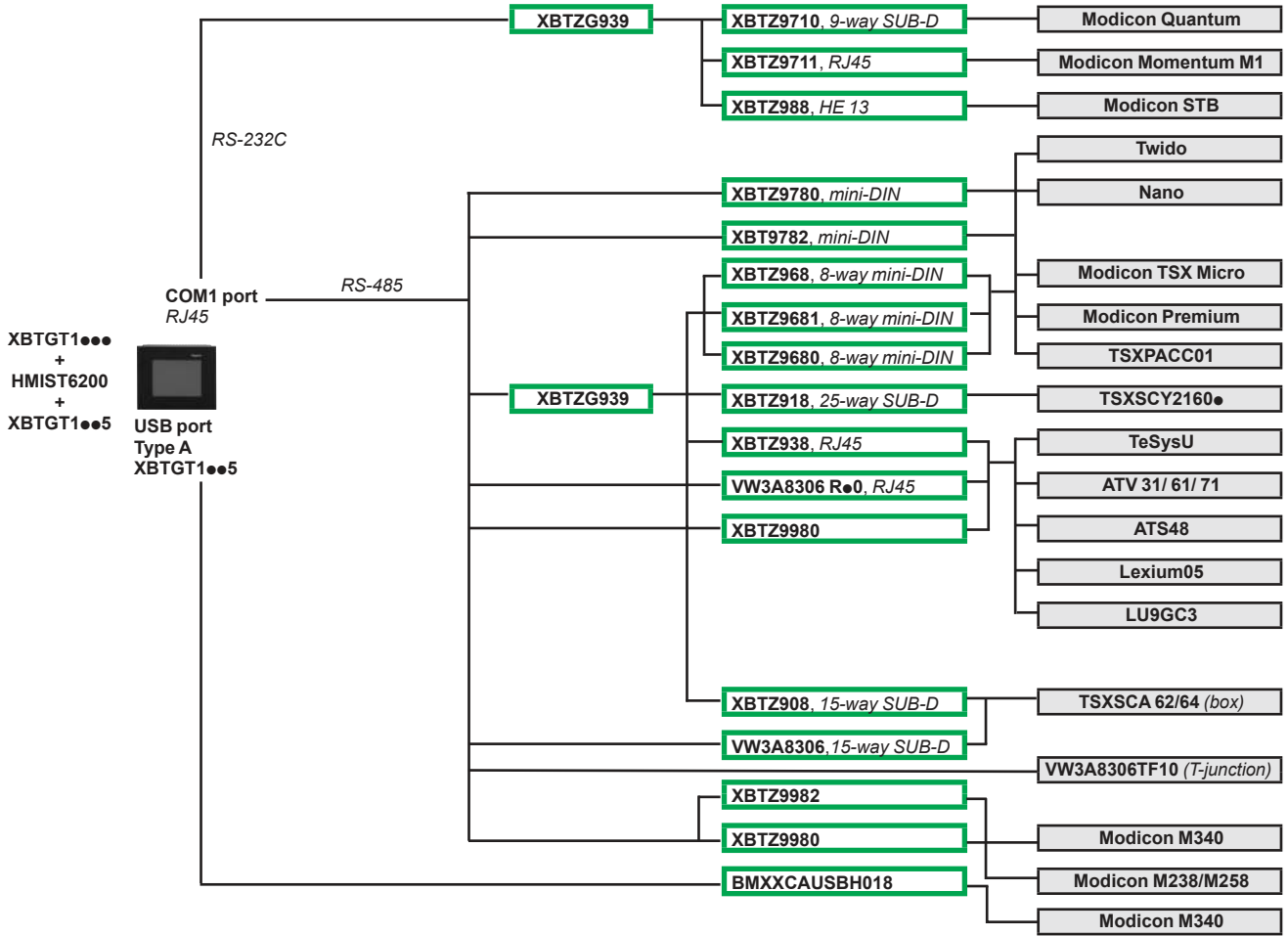
ST6_65770_CPMFS18011A

[HMZSFIXTF1](#)

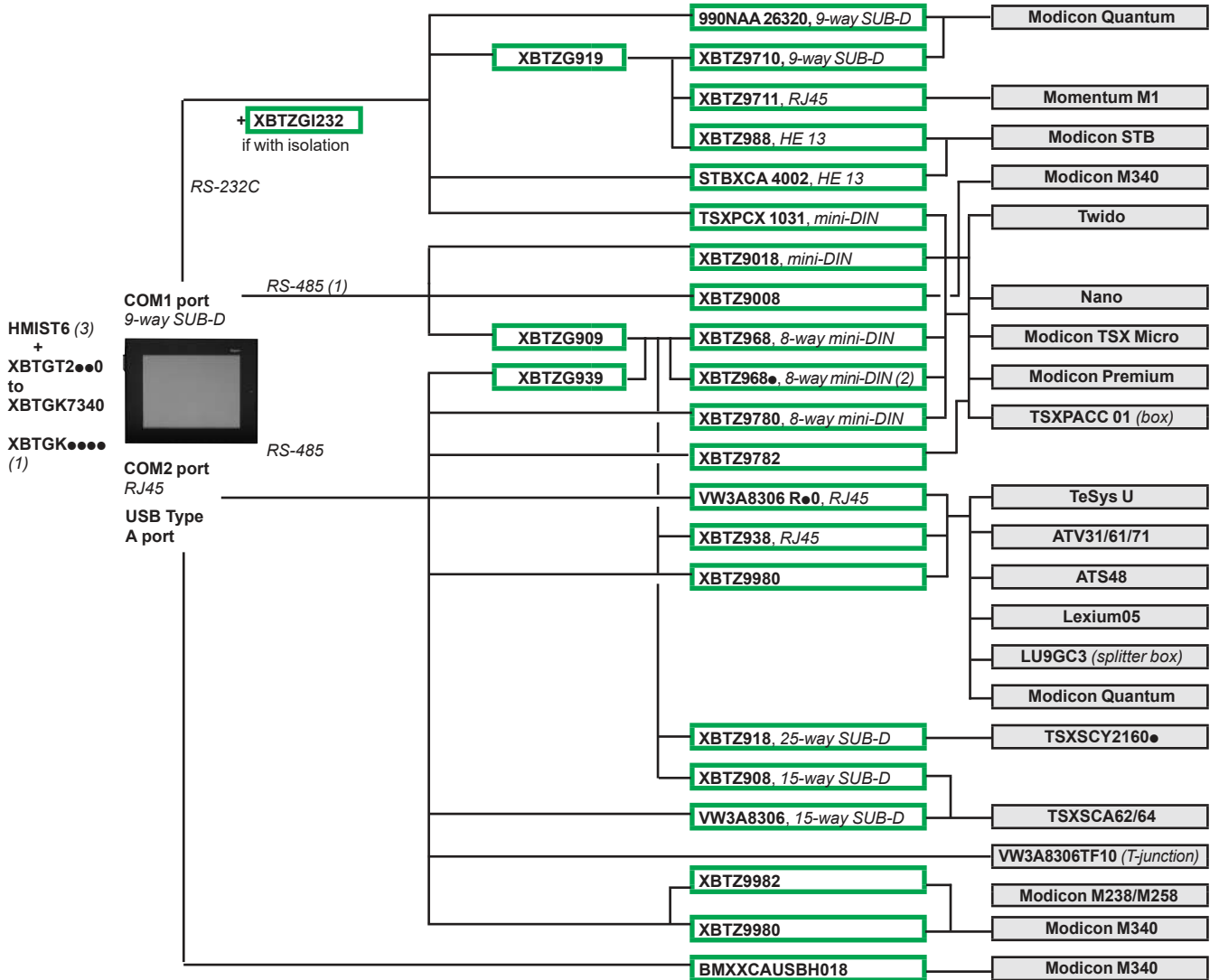
ST6_65770_CPMFS18007A

[HMZS53W1](#)

XBTGT11●5 terminals, HMIST6 terminals, and Schneider Electric products

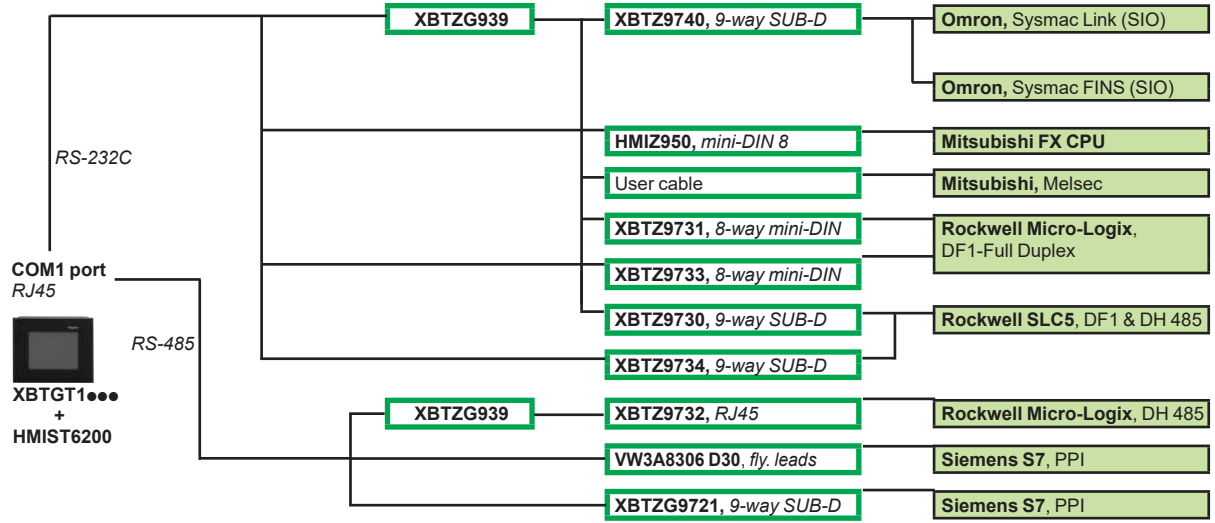


XBTGT2●●0/GT7340/GK●●●● terminals, HMIST6 terminals, and Schneider Electric products

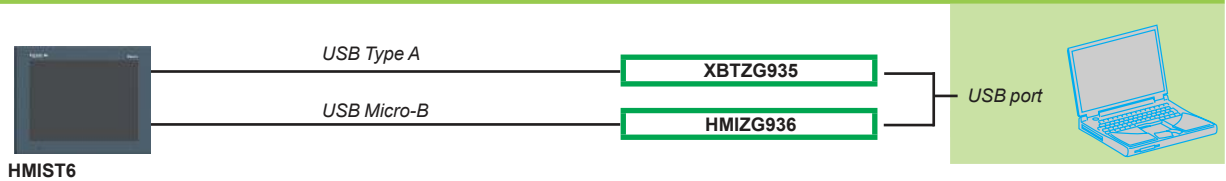


(1) RS-485 not available for HMIST6 (COM1).
 (2) ● defines the length:
 - 0: 2.5 m/8.2 ft (elbowed connector)
 - 1: 5 m/16.4 ft
 - 6: 16 m/52.5 ft
 - 7: 20 m/65.6 ft
 - 8: 25 m/82 ft
 (3) Except HMIST6200.

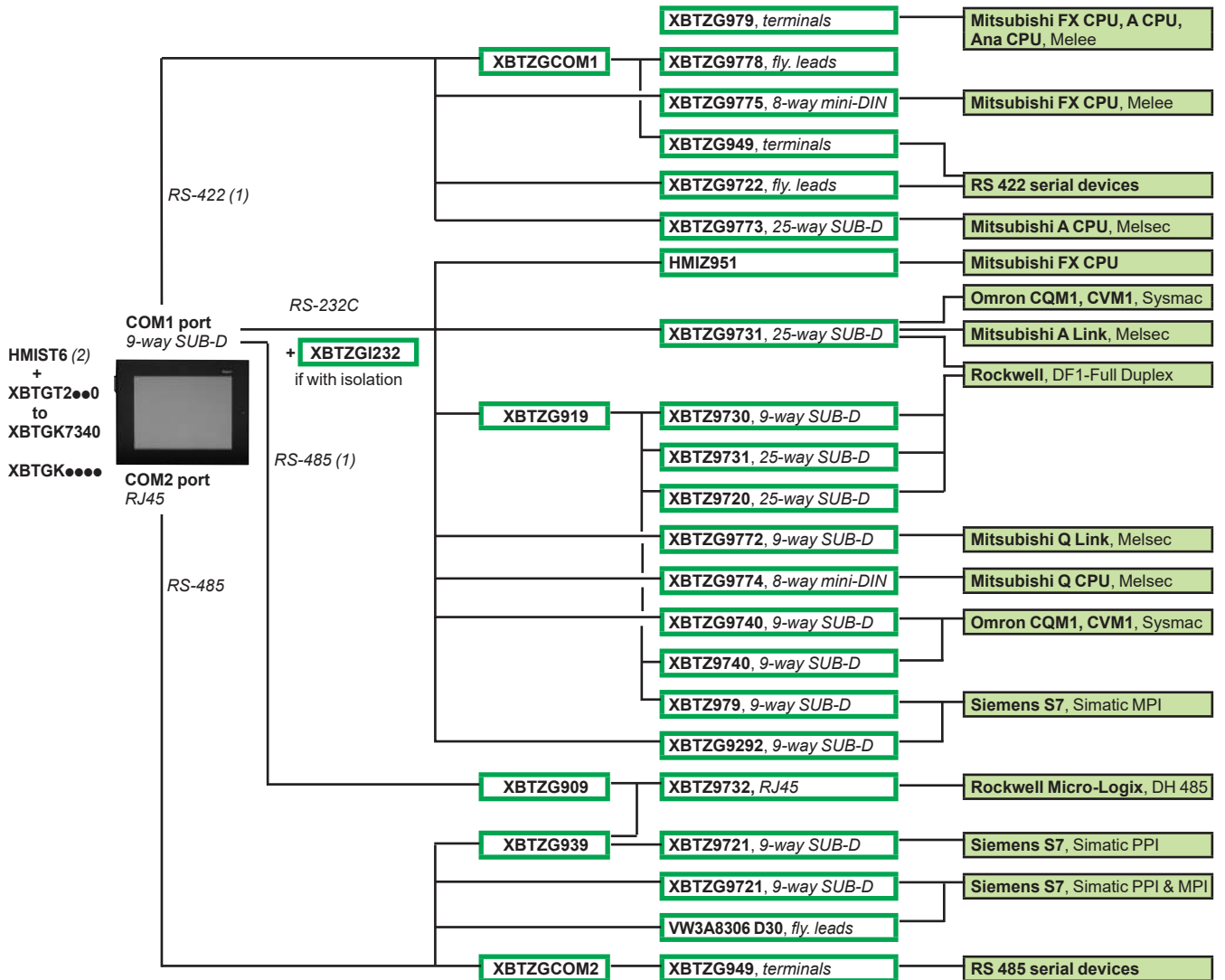
XBTGT11●5 terminals, HMIST6 terminals, and third-party PLCs



Application transfer from HMIST6 terminals to PC



XBTGT2●●0/GT7340/GK●●●● terminals, HMIST6 terminals, and third-party PLCs



(1) RS-422 and RS-425 not available on HMIST6 (COM1).
 (2) Except HMIST6200.

H	
HMIST6200	14
HMIST6400	14
HMIST6500	14
HMIST6600	14
HMIST6700	14
HMISTW6200	14
HMISTW6400	14
HMISTW6500	14
HMISTW6600	14
HMISTW6700	14
HMIZG60W	15
HMIZG63W	15
HMIZG65W1	15
HMIZG66W	15
HMIZG67W	15
HMIZGCLP1	15
HMIZS51W1	15
HMIZS53W1	15
HMIZS55W1	15
HMIZS56W1	15
HMIZS57W1	15
HMIZSBA1	15
HMIZSFIXTF1	15
HMIZSUSBB2	15
X	
XBTZ3002	15
XBTZGPW1	15
XBTZGUSB	15



www.schneider-electric.com/hmi

Schneider Electric Industries SAS

Head Office
35, rue Joseph Monier
F-92500 Rueil-Malmaison
France

The information provided in this documentation contains general descriptions and/or technical characteristics of the performance of the products contained herein. This documentation is not intended as a substitute for and is not to be used for determining suitability or reliability of these products for specific user applications. It is the duty of any such user or integrator to perform the appropriate and complete risk analysis, evaluation and testing of the products with respect to the relevant specific application or use thereof. Neither Schneider Electric nor any of its affiliates or subsidiaries shall be responsible or liable for misuse of the information contained herein.

Design: Schneider Electric
Photos: Schneider Electric